



Download Installation Guide:



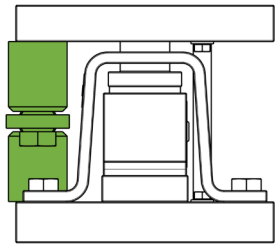
► www.mt.com/ind-downloads-swb405

1»

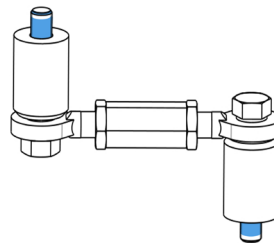
Before You Begin



If weigh module is used in a dynamic situation, for example, vibration, mixing, ETC, optional stabilizer must be applied for weighing stability improvement.



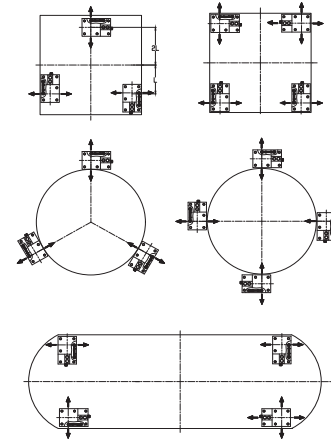
Optional stabilizer
(One stabilizer per weigh module)



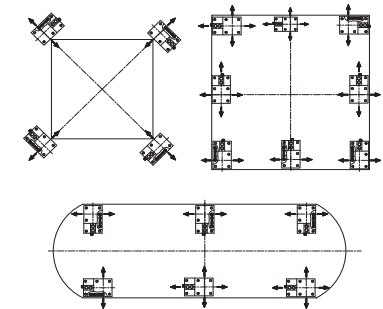
Pre-assembled
SS304 & CS stabilizers

2»

Plan Your Layout

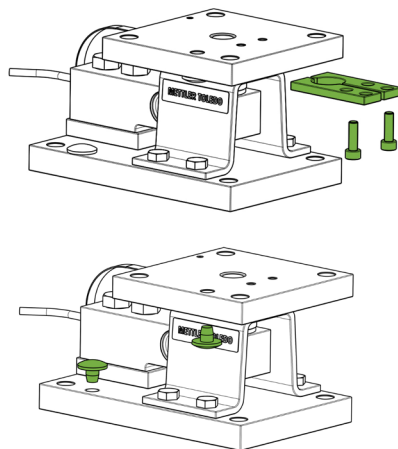


Weigh modules must be arranged according to <SWB405 MultiMount™ installation & service manual> to avoid binding the tank scale.



3»

Activate Weigh Modules



Disassemble
SafeLock™ spacer &
SafeLock™

Size 2: M6, S=5mm(0.20")
Size 3: M8, S=6mm(0.24")
Note: Allen key is needed.

Remove the plastic
plugs from the holes in
the top and base plates

4»

Assemble the Stabilizer

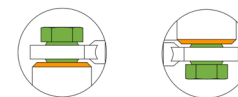


Tighten the bolts
Size 2: M10, 35Nm
Size 3: M12, 60Nm

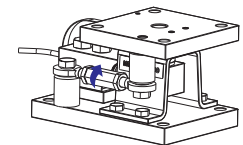
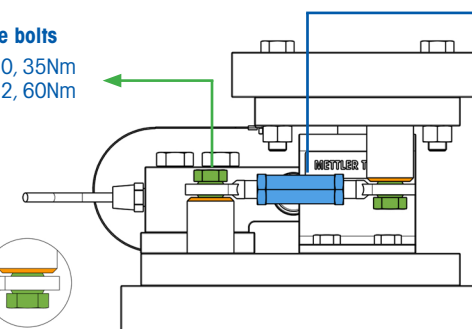


Check and adjust

Step 1: Adjust the jam nuts
Step 2: Turn the center coupler
Step 3: Re-tighten the jam nuts



Chamfer on standoff



Note: Make sure the rod end is rocking freely after installation.